

DPM-USB™

USB Adapter for Dual-Port Memory Multichannel Buffers

Installation Guide

The DPM-USB adapter allows you to control any of the following ORTEC Dual-Port Memory based multichannel buffers (MCBs) from any computer that operates under Microsoft® Windows® 2000 Professional SP4, or XP® Professional SP3, Vista® Ultimate, or Windows 7. Six easy installation steps transform your older MCB into a plug-and-play USB unit. Use one DPM-USB adapter per MCB. After the first DPM-USB is installed, it gets even easier — for each additional unit you need only perform steps 3, 4, and 6 (see also Note 2 at the end of this guide).

Compatible ORTEC MCBs:

919	920E	92X	92XP
919E	921	92X-II	NOMAD-PLUS®
920-8	921E	DSPEC®	
920-16	926	OCTETE-PC®	

Legacy Models 917, 918, and 918A are not supported by the Model DPM-USB or DPM-UPGRADE-USB due to protocol incompatibilities.

Installation Instructions

1. First, install the accompanying CONNECTIONS-32 Driver Update Kit (p/n 797230). On the Instrument Families page, be sure to mark the **DPM-USB** checkbox, as shown in Fig. 1. **Otherwise the DPM-USB will not be able to communicate with the PC and MAESTRO-32.** For complete instructions, see the Update Kit instructions.
2. If you have also purchased an ORTEC spectroscopy application (e.g., MAESTRO®-32, GammaVision®-32, AlphaVision®-32) install it next, according to its instructions.
3. For each MCB to be used (one instrument per DPM-USB adapter), set the dip switches or jumpers to address the unit as MCB 1 (one), as described in the hardware manual.

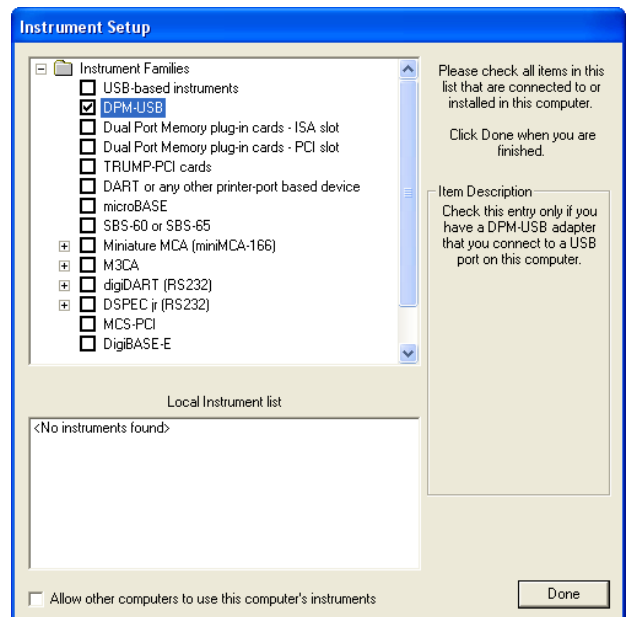


Fig. 1. Select the DPM-USB Instrument Family.

4. Connect the DPM-USB to the 37-pin Dual Port Memory connector on the MCB, then attach the USB connector to the PC.
5. Windows will indicate that new hardware has been detected. If a “new hardware” installation wizard starts up, indicate you *do not* wish to connect to the internet or the Microsoft website to locate the driver, choose the “automatically locate driver” option, and follow the remaining prompts to completion, restarting the PC if so instructed.
6. The final setup step is to run the **MCB Configuration** program to locate all CONNECTIONS-32 instruments attached to your PC (and network, if applicable). *You must run MCB Configuration or MAESTRO-32 and other ORTEC programs will not be able to “see” your MCB(s).* To do this, go to the Windows Start Menu and select **MAESTRO 32** (GammaVision, etc.) and **MCB Configuration**. For complete details on using the MCB Configuration program, refer to the CONNECTIONS-32 Driver Update Kit instruction sheet.

Notes

1. Multiple DPM-USB units (to a maximum of 8) can be installed on a single PC by using an *ac-powered USB hub*, such as the ORTEC Model C-USB-HUB-4B or Model C-USB-HUB-7B. *Note that bus-powered USB hubs are not supported.* Figure 2 illustrates the attachment of multiple DPM MCBs to a PC via a powered USB hub.

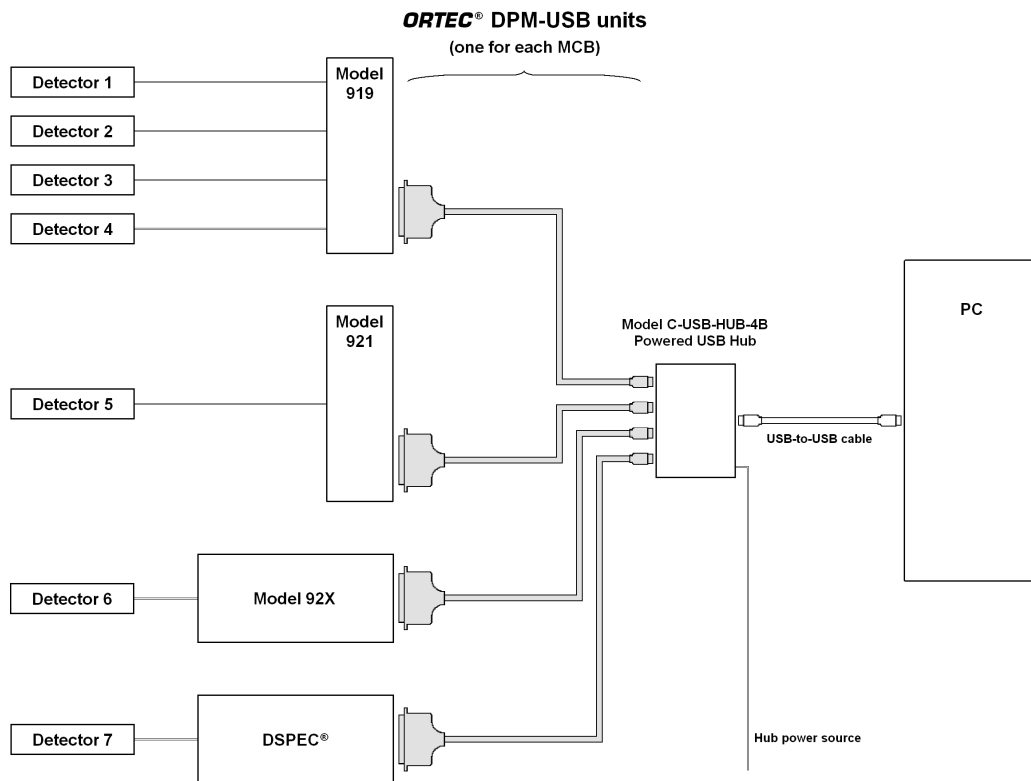


Fig. 2. Use One DPM-USB Per MCB.

2. Once you have attached a *specific DPM-USB adapter to a specific MCB*, connected this “combined unit” to your PC, and run the MCB Configuration program, your PC and CONNECTIONS-32 software packages will recognize the combined unit as a unique USB instrument. If you then disconnect the combined unit from your PC, you can reconnect it to any USB port on the same PC (or to any port on a locally attached USB hub), at any time, without

having to re-run MCB Configuration. Connecting a *different MCB* to this DPM-USB adapter will generate a “new” combined unit, and you must run MCB Configuration again before the new combination can be used.

If you need further assistance, please contact your ORTEC representative or our Global Service Center.

932730C / 0411
Printed in USA