

**EtherNIM™ 10Base2 to 10BaseT Adapter Kit
(BNC to RJ45)**

This adapter kit contains a multi-port hub and all the cables necessary to connect an EtherNIM device to a twisted-pair network. The multi-port hub requires ac power. This will connect the 10Base2 network to the 10BaseT network.

All of the EtherNIM and direct-connect Ethernet devices such as DSPec and 92X-II use 10Base2 (BNC) for connecting to the Ethernet. Many networks use the 10BaseT (RJ45 or twisted-pair) method for connecting to a network.

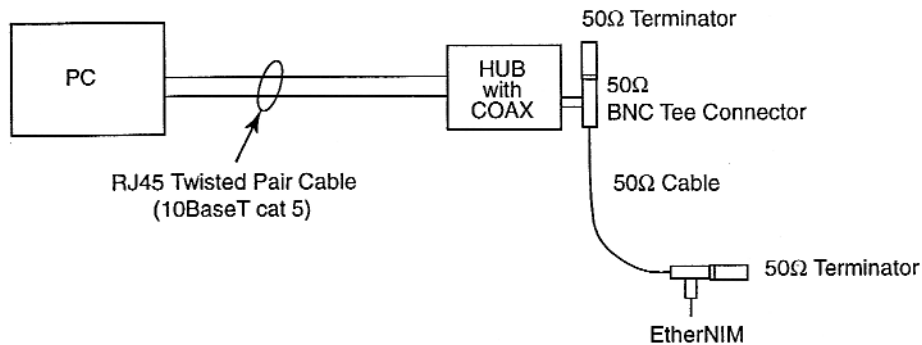


Figure 1 shows a PC with a 10BaseT network card connected to the hub. The 10Base2 on the hub is connected to the EtherNIM.

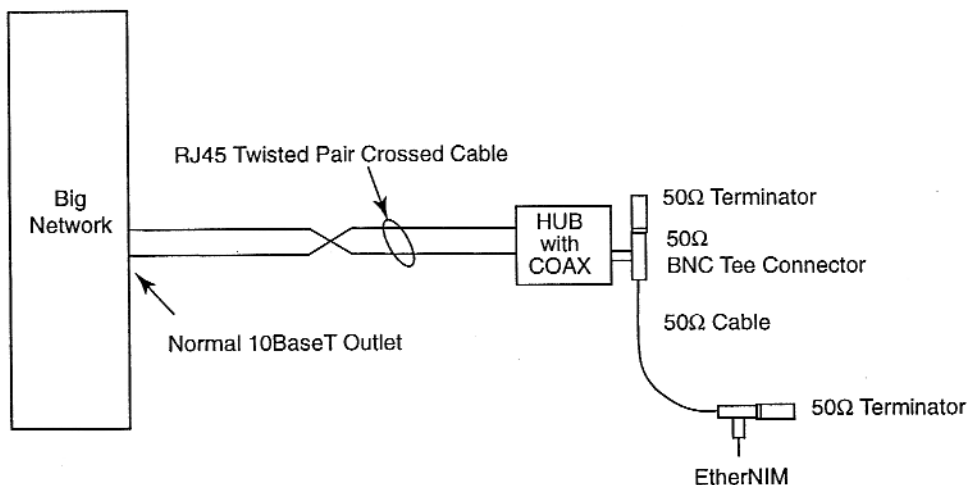


Figure 2 shows the hub connected to an existing 10BaseT network using a “cross-over” cable. The cross-over cable is necessary to connect two hubs or two PCs directly. The 10Base2 on the hub is connected to the EtherNIM. Contact your local network administrator to check requirements for adding a HUB.

ETHRJ45

EtherNIM™ 10Base2 to 10BaseT Adapter Kit (BNC to RJ45)

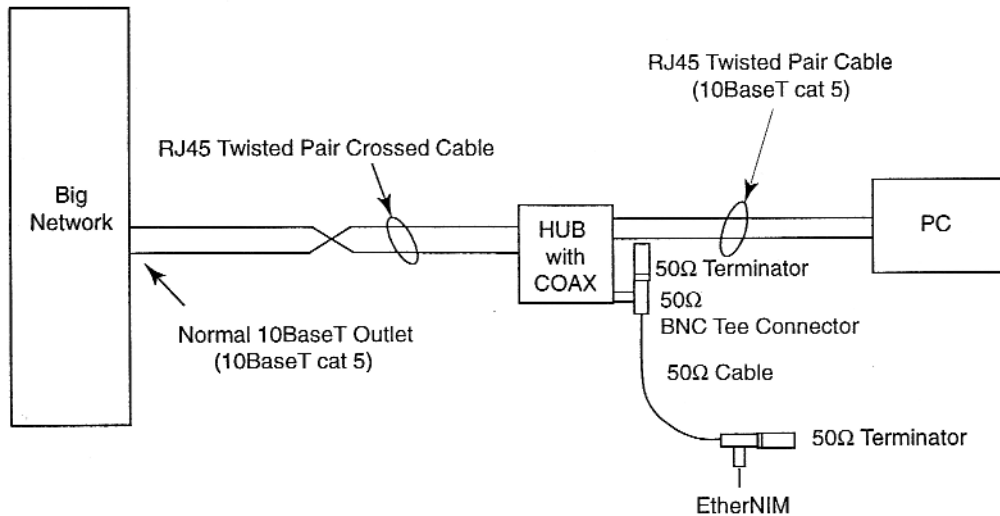


Figure 3 shows the hub inserted between the PC and the existing 10BaseT network. The cable between the PC and the hub is the cable that previously connected the PC to the existing network. The other cables are the same as Figure 2.

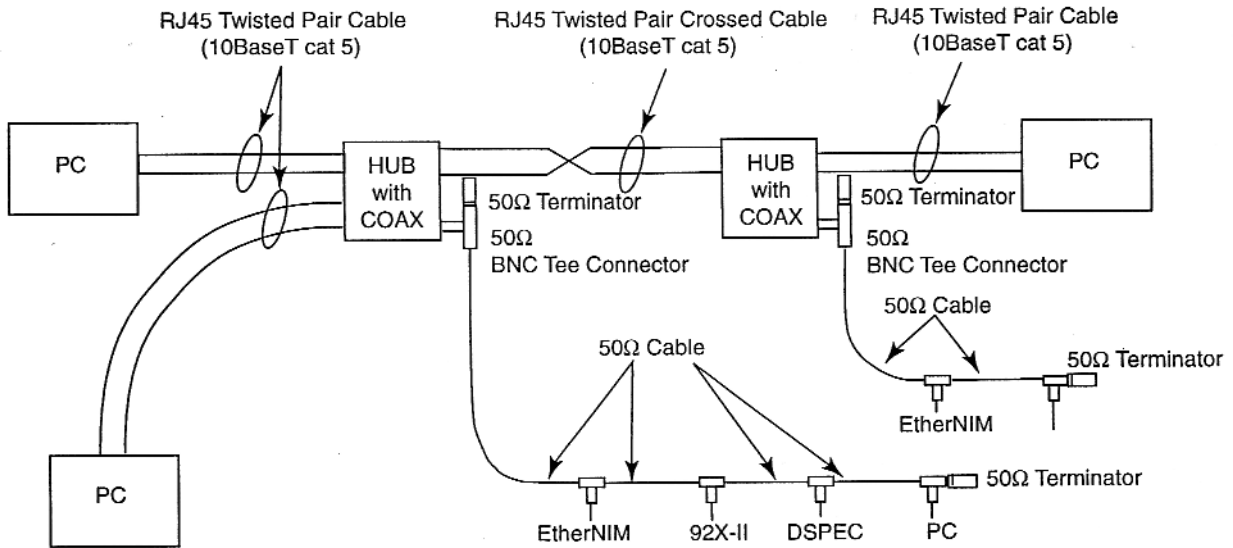


Figure 4 shows one way to make an expanded network with more than one hub. The cable between the hubs is a cross-over cable.

Specifications subject to change
072403

ORTEC®

800-251-9750 • www.ortec-online.com

info@ortec-online.com • Fax (865) 483-0396
801 South Illinois Ave., Oak Ridge, TN 37831-0895 U.S.A. • (865) 482-4411
For International Office Locations, Visit Our Website

AMETEK
ADVANCED
MEASUREMENT
TECHNOLOGY