

#### A Convenient Solution to Scanning Large Areas or Containers with the ORTEC Detective Series Hand-Held Nuclide Identifiers

- Aids in finding the location of radiation hotspots in containers.
- ID at precise position.
- Easily Maneuverable: large diameter cushion tires.
- Simple to assemble/disassemble.
- Rugged, strong enough to support both Detective instrument and collimator option.
- Extension arm provides up to 85 inches of vertical reach.

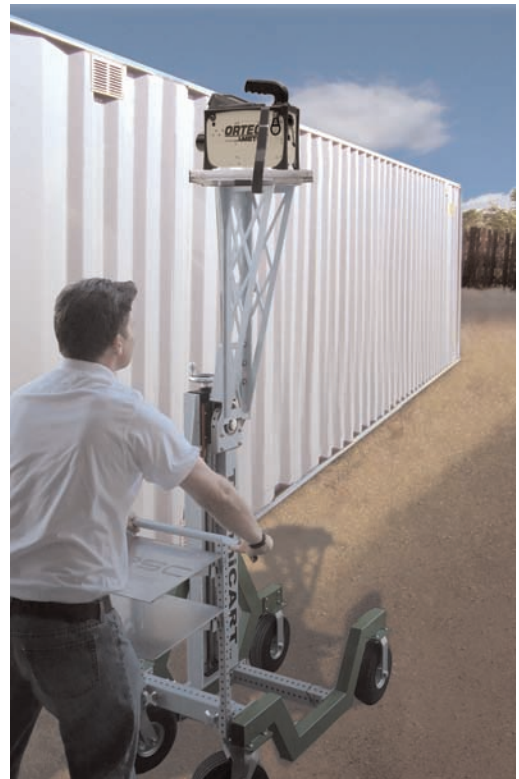
Users of ORTEC Detective<sup>1</sup> Series Hand-Held Identifiers have requested a transport cart which would allow the scanning of containers or vehicles in a consistent reproducible fashion, rather than the somewhat haphazard approach of simply hand carrying the instrument along the side of a van, car or container.

The Pajarito Scientific (PSC)<sup>2</sup> TechniCART™, with extension arm option offers an ideal answer to this need. In general, the TechniCART™ provides a mobile, multi-use platform for radiation detector systems that is lightweight, rugged, and ergonomically efficient. The flat-free large caster wheels permit movement through warehouse, dirt and gravel type terrain.<sup>3</sup>

The extension arm option allows the Detective to be positioned at any height from close to the ground up to 82 inches above ground while the instrument is scanned smoothly across the object or pauses long enough to make an ID. Remote control software, wired or wireless, allows the operator to observe the instrument display during data acquisition. A pivoting platform allows the Detective to rotate at any angle to the direction of travel of the TechniCART™, facilitating scanning and other measurements.

#### TechniCART™ Features

- Transportable over multiple surfaces, no special tools required for assembly
- Gross capacity of 500 lbs
- Trays accommodate laptop, electronics and other personal equipment
- SOTI wireless control available<sup>4</sup>
- Engineered high performance support structure ensures personnel safety in the field
- Easy to clean / decontaminate
- Reproducible and fixed detector location
- Adjustable tilt and height
- Durable stainless steel and anodized components
- Adjustable width for improved stability



<sup>1</sup><http://www.ortec-online.com/psis.htm>

<sup>2</sup>[www.pajaritoscientific.com](http://www.pajaritoscientific.com)

<sup>3</sup>For movement over rough terrain, the extension arm should be lowered.

<sup>4</sup><http://www.ortec-online.com/soti.htm>

# DETECTIVE-OPT-17

## Configured TechniCART™ for Mobile Scanning

### TechniCART™ Specifications

**Assembly** Bolt together (no special tools required). Shipped fully assembled.

**Configuration** Spring pins, hand knobs (no special tools required).

**Finish** Powder coated frame. Stainless and anodized components. Easily cleaned or decontaminated.

**Wheels/Casters** Easy grease fittings, foam filled flat-free. Two fixed, two swivel with brakes.

Height: 10 inches (25.40 cm).

Width: 3.5 inches (8.89 cm).

**Tilt Adjustment** ±180° on pivot bearing.

**Ergonomic Push Handle** Spring pin adjustment.

**Load Capacity** 500 lbs (226.7 kg) gross.

#### Dimensions

Storage Length (rear wheels turned in and shelves folded down): 44 inches (112 cm).

Operational Length: 57.4 inches (145 cm).

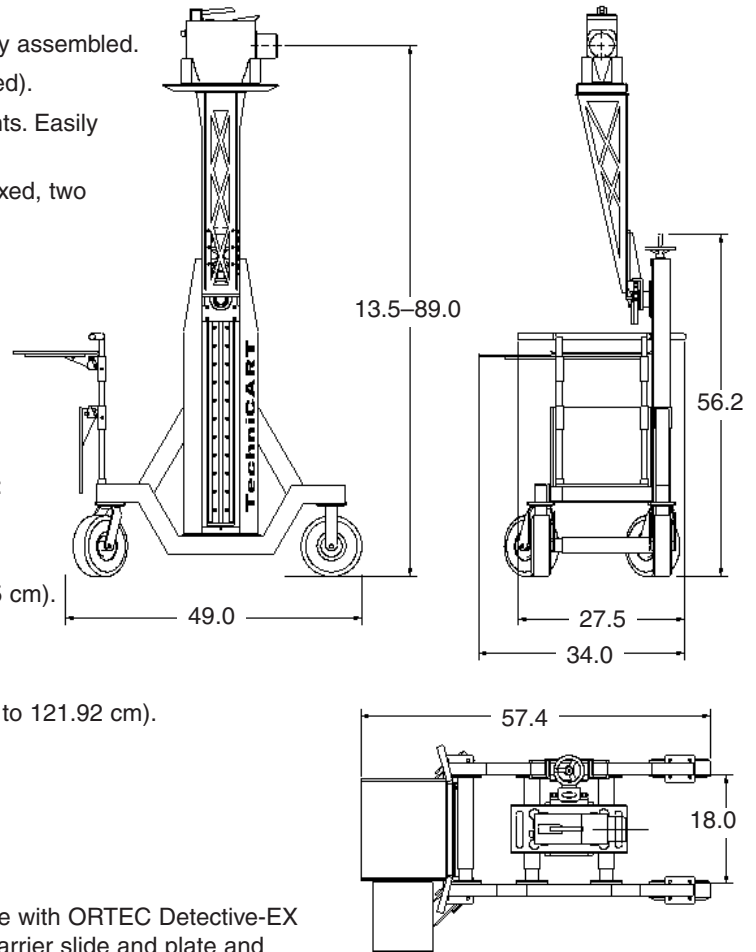
Height (to top of slide mechanism hand crank): 56.2 inches (145 cm).

Width: Adjustable from 24 to 36 inches (61 to 91 cm).

#### Equipment Mounting Plate Adjustment Height

Without Arm Extension: 7 to 43 inches from ground level (17.78 to 121.92 cm).

With Arm Extension: Up to 82 inches.



### Ordering Information

Model	Description
DET-OPT-17	PSC TechniCART™ configured for use with ORTEC Detective-EX or Detective-DX. Includes ISO-DCC carrier slide and plate and ISO-ADAPT.
DET-100-OPT-17	PSC TechniCART™ configured for use with ORTEC Detective-EX-100, Detective-DX-100, or trans-SPEC-DX-100. Includes ISO-DCC carrier slide and plate and ISO-ADAPT-100.
MICRO-DET-OPT-17	PSC TechniCART™ configured for use with ORTEC Micro-Detective or Micro-trans-SPEC. Includes ISO-DCC carrier slide and plate and ISO-ADAPT-MICRO.
Options	
ISO-ADAPT	Mounting Adapter for Detective-EX or Detective-DX
ISO-ADAPT-100	Mounting Adapter for Detective-EX-100, Detective-DX-100, or trans-SPEC-DX-100
ISO-ADAPT-MICRO	Mounting Adaptor for Micro-Detective or Micro-trans-SPEC
TSP-ISO-SHLD-3	Lead Shield, 3" long x 2" thick. Provides 0.5" collimation. For use with Detective-EX-100, Detective-DX-100, or trans-SPEC-DX-100.
TSP-ISO-SHLD-2	Lead Shield, 2" long x 2" thick. For additional collimation with TSP-ISO-SHLD-3.
TSP-ISO-SHLD-1	Lead Shield, 1" long x 2" thick. For additional collimation with TSP-ISO-SHLD-3 and TSP-ISO-SHLD-2.
TSP-ISO-DCC	Carrier slide and mounting adapter for Detective-EX-100, Detective-DX-100, or trans-SPEC-DX-100 and TSP-ISO-SHLD.

Specifications subject to change  
020209

**ORTEC**®

[www.ortec-online.com](http://www.ortec-online.com)

Tel. (865) 482-4411 • Fax (865) 483-0396 • [ortec.info@ametek.com](mailto:ortec.info@ametek.com)  
801 South Illinois Ave., Oak Ridge, TN 37831-0895 U.S.A.  
For International Office Locations, Visit Our Website

**AMETEK**®  
ADVANCED MEASUREMENT TECHNOLOGY