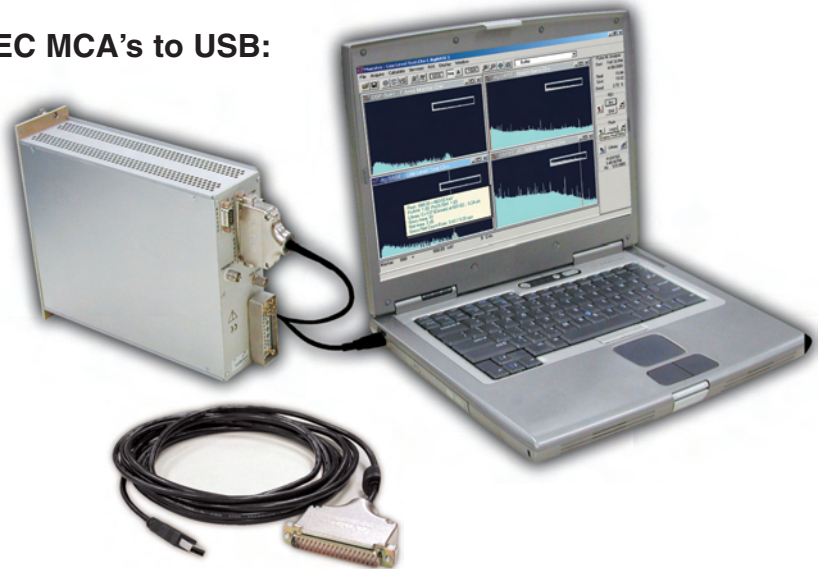


• **Save Your Investment – Convert these ORTEC MCA's to USB:**

919	921	DSPec
919E	921E	92X-P (NOMAD)
920-8	926	NOMAD-Plus
920-16	92X	OCTETE-PC
920E	92X-II	

- **Simple Install – Connect the cable and update the drivers!**
- **No external cable required – powered from the USB.**
- **USB 2.0 Compatible.**



Since the inception of the personal computer, ORTEC has provided MCB's which couple to the PC via a flat ribbon cable to an ISA card in the computer. The ISA (Industry Standard Architecture) Bus is now almost completely extinct. Today's modern PC's often do not have option slots of any type, but all have USB ports. An enhancement to the *CONNECTIONS-32* product family, the DPM-USB interface provides a means to convert the ORTEC Dual-Port Memory (DPM) communication to USB.

For ORTEC MCA owners the conversion from the ORTEC DPM to USB preserves their hardware investment and allows PC upgrades. The model DPM-UPGRADE-USB includes the hardware for the USB connection and the driver update for the software. The upgrade provided with the model DPM-UPGRADE-USB will also update drivers for any user-developed programs written using the *CONNECTIONS* Programmers' Toolkit (Model A11-B32). Of course updating the MAESTRO, GammaVision, ScintiVision, or AlphaVision software would be advisable to take full advantage of all the features of the latest ORTEC analysis products.

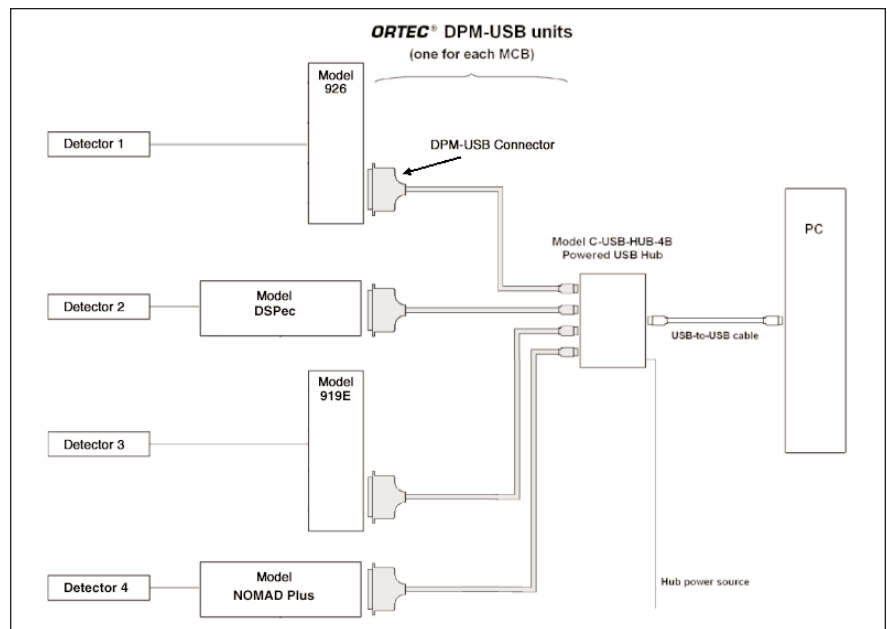
The model DPM-USB connects directly to the 37-pin D-connector on the rear panel of ORTEC MCA hardware (NIM and non-NIM) and to the USB port of a PC. The Model DPM-USB is fully compatible with USB 2.0 and operates at a maximum data transfer rate of 12-Mb/second.

Multiple USB connections to a single PC can be achieved by use of a powered USB hub. ORTEC offers two models of powered USB hubs (see Accessories). Up to eight MCB units can be connected to a single PC in this manner.

The DPM-USB interface converter adapts any of the below listed ORTEC MCB instruments to a PC with an available USB port. Installing the model DPM-USB is accomplished by simply plugging in the connectors. Be sure to install the software and any upgrades before connecting this interface.

Compatible ORTEC models:

919	920E	92X	92X-P (NOMAD)
919E	921	92X-II	NOMAD-Plus
920-8	921E	DSPec	OCTETE-PC
920-16	926		



DPM-USB

ORTEC Dual-Port Memory to USB Converter

Example:

For remote operation, ORTEC offers the model USB-CONC-110 or model USB-CONC-220. These units will interface USB connections to the Ethernet using TCPIP protocols. The USB-CONC-110 or USB-CONC-220 provides connections for up to 5-each USB devices.

Specifications

Input/Output: Female 37-pin D-connector with captive 5 meter (15-ft.) USB cable.

Power Required: Provided by the USB connection.

Dimensions: 2.75-in. (7-cm) W, 2.75-in. (7-cm) D, and 0.75-in (1.9-cm) H 37-pin D-connector with captive 5-m USB cable.

Net Weight: 1-lb. (0.45-kg), shipping weight 5-lb. (2.27-kg).

Ordering Information

Model	Description
DPM-USB	Dual-Port Memory to USB Interface Converter
DPM-UPGRADE-USB	DPM-USB and <i>CONNECTIONS-32</i> Driver Update to MAESTRO-32
DPM-M32-USB	DPM-USB with MAESTRO-32 software

Accessories

C-USB-HUB-4B	4-port powered USB hub
C-USB-HUB-7B	7-port powered USB hub
USB-CONC-110	5-port USB to Ethernet converter – 110V/60Hz
USB-CONC-220	5-port USB to Ethernet converter – 220V/50Hz

Specifications subject to change
010410

ORTEC[®]

www.ortec-online.com

Tel. (865) 482-4411 • Fax (865) 483-0396 • ortec.info@ametek.com
801 South Illinois Ave., Oak Ridge, TN 37831-0895 U.S.A.
For International Office Locations, Visit Our Website

AMETEK[®]
ADVANCED MEASUREMENT
TECHNOLOGY