

Main Application: Backscattering from a collimated source or beam target; angular correlation measurements.

Supplied with T Mount unless otherwise specified.

Total Area Including 4-mm-diam. Hole (mm ²)	Guaranteed Maximum Resolution (keV)**		Minimum Depletion Depth 100 μm	Minimum Depletion Depth 300 μm	Minimum Depletion Depth 500 μm	Guaranteed Maximum Resolution (keV)**		Minimum Depletion Depth 1000 μm
	α	β	Model No.	Model No.	Model No.	α	β	Model No.
50	17	9	C-017-050-100	C-017-050-300	C-017-050-500	18	10	C-018-050-1000
150	19	12	C-019-150-100	C-019-150-300	C-019-150-500	20	12	C-020-150-1000
300	21	14	C-021-300-100	C-021-300-300	C-021-300-500	22	15	C-022-300-1000
450	25	20	C-025-450-100	C-025-450-300	C-025-450-500	25	20	C-025-450-1000

* Supplied in T Mount unless specified otherwise by appropriate letter prefix; 4-mm hole is standard, 6- or 8-mm hole or other areas and depths available on special order.

** First three digits of Model No. indicate total system resolution FWHM for ²⁴¹Am, 5.486-MeV alphas, using standard ORTEC electronics and 0.5-μs shaping time constants. Beta resolution approximated by pulse generator width FWHM.

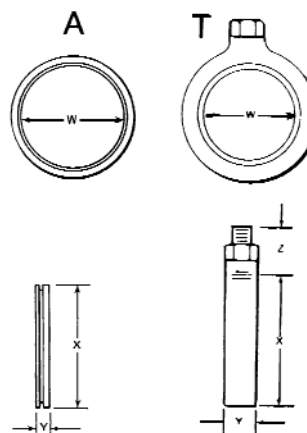
Mounting Arrangements

A This is a "ring mount"; i.e., the silicon wafer is offered on its ring without output connectors. This infrequently used arrangement is available on special request.

T Microdot on the side of the can. (Open back.)

Dimensions are given in millimeters.

Detector Size (mm ²)	W (Nominal)	Type A Mount		Type T Transmission Mount		
		X	Y	X	Y	Z
050	8.0	15.2	3.7	19.4	7.9	9.9
150	13.8	22.0	3.7	26.1	7.9	9.9
300	19.5	27.1	3.7	31.6	7.9	9.9
450	23.9	30.5	3.7	34.8	7.9	9.9
Tol.	±0.5	±0.3	±0.3	±0.3	±0.3	±0.3



Specifications subject to change
051512